


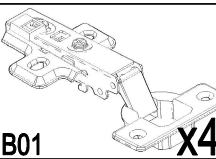
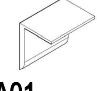
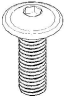


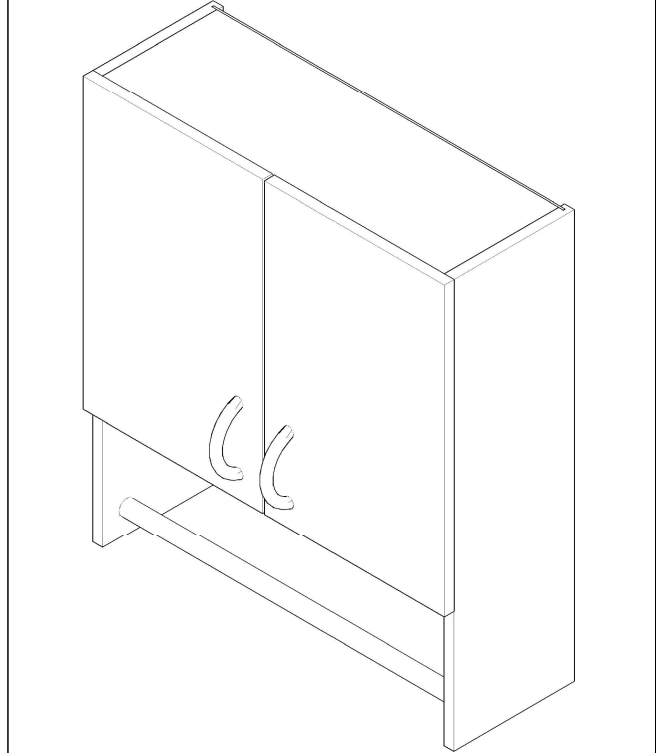
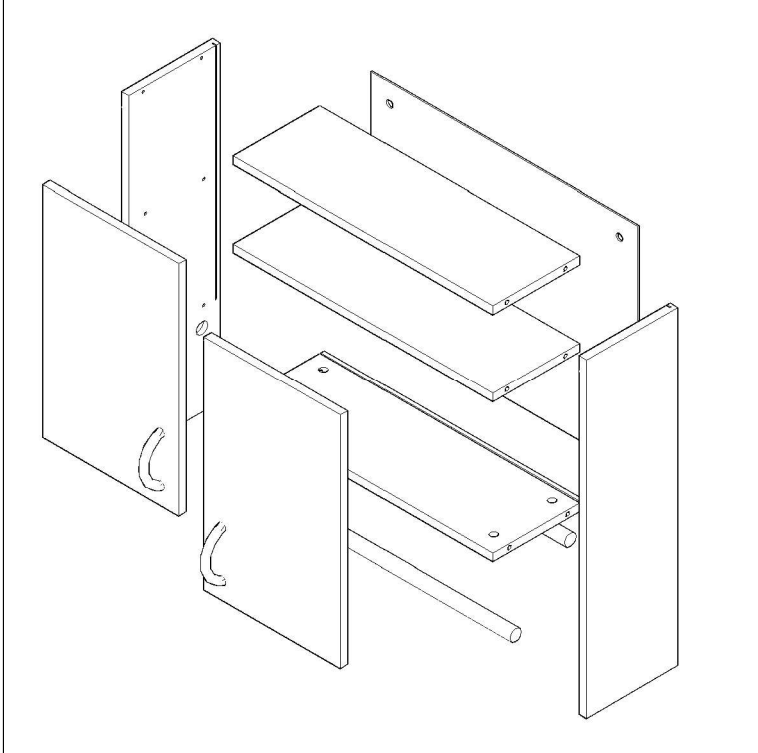
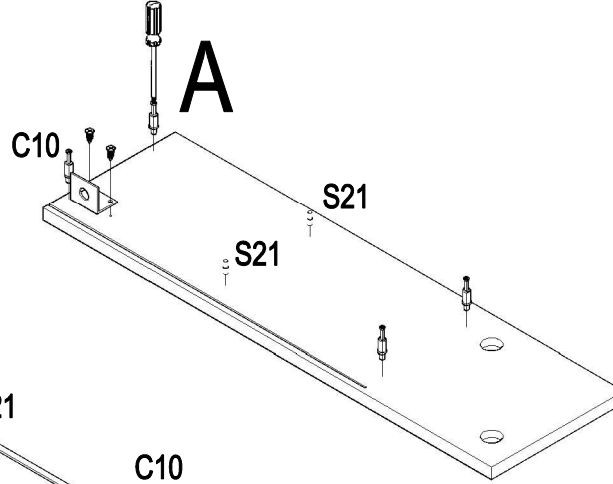


NR.12

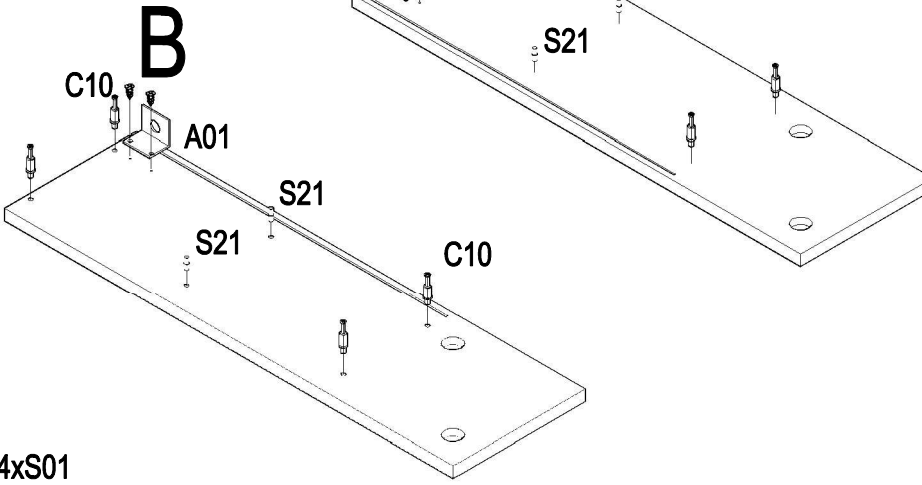
 3.5x16 S01 x24	 C10 x8	 C11 x8	 B01 x4	 A01 x2	 M4x22 S11 x4
 M01 x2	 S21 x4				



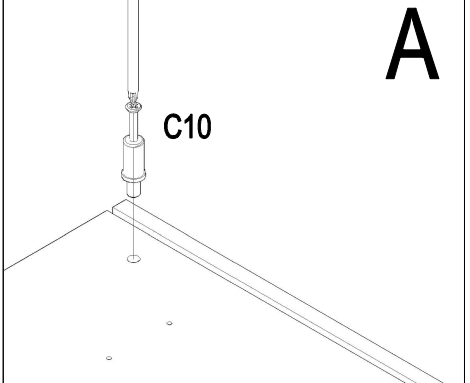
1.



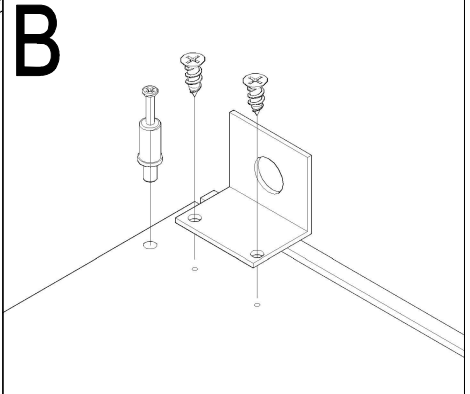
A



B



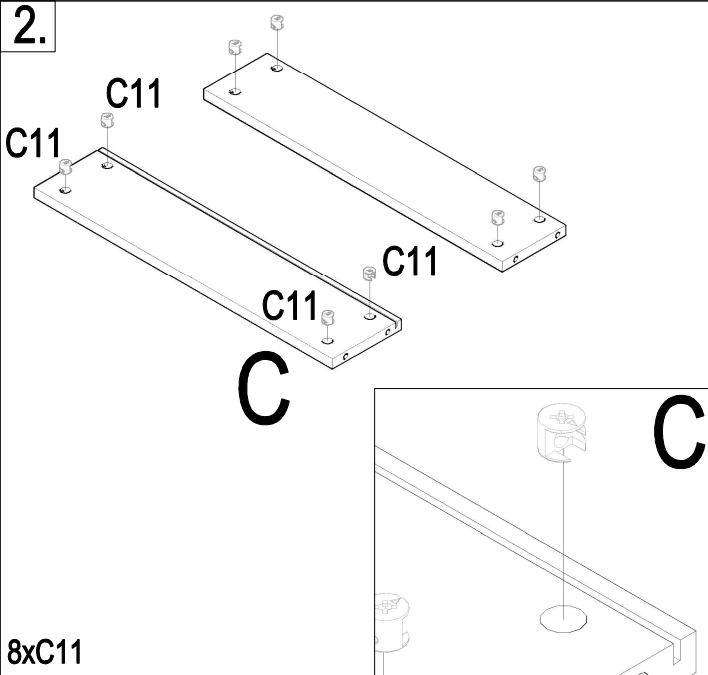
A



B

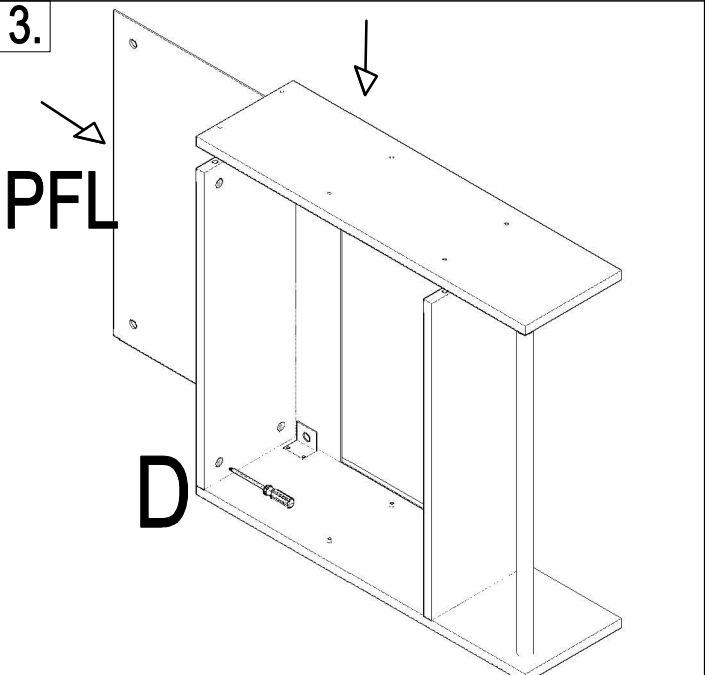
4xS01
 2xA01
 4xS21
 8xC10

2.

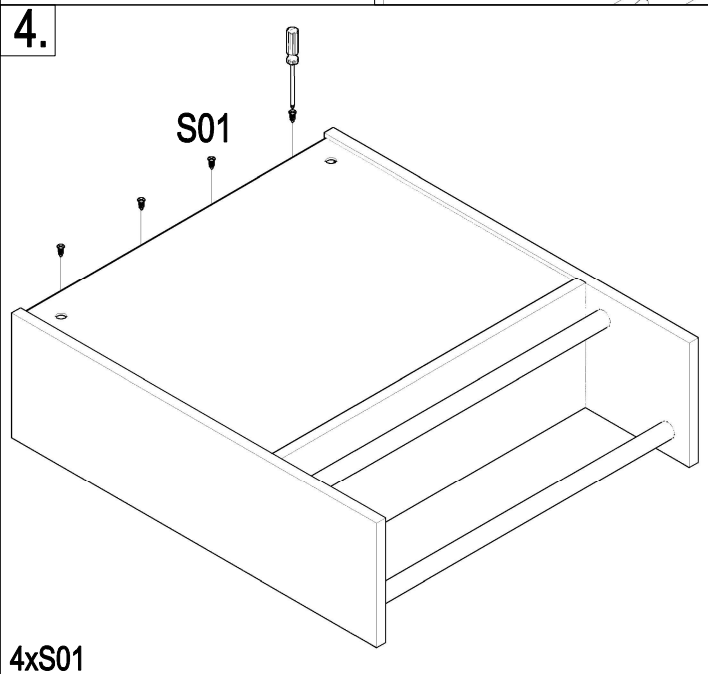


8xC11

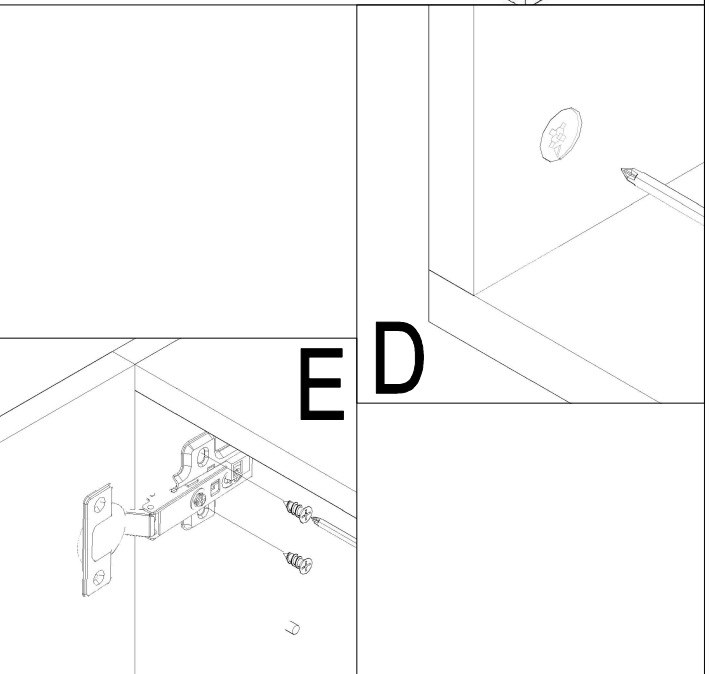
3.



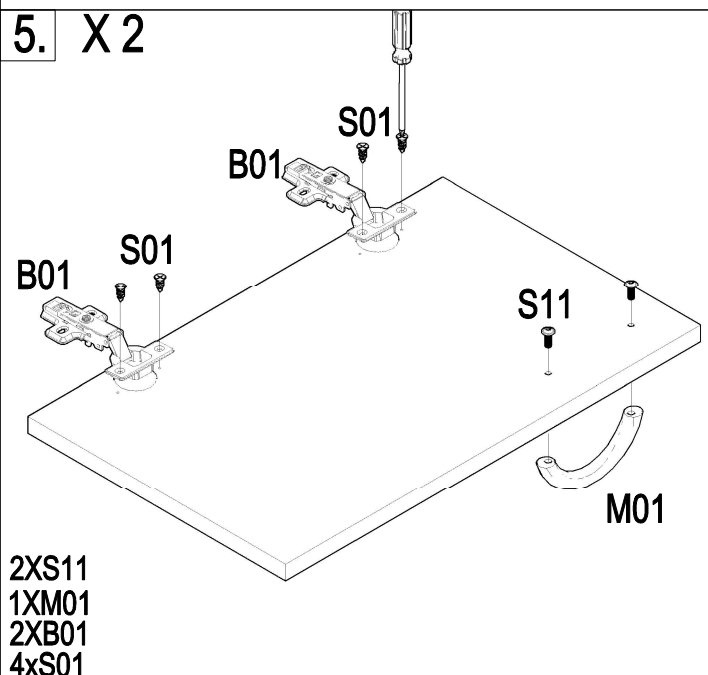
4.



4xS01

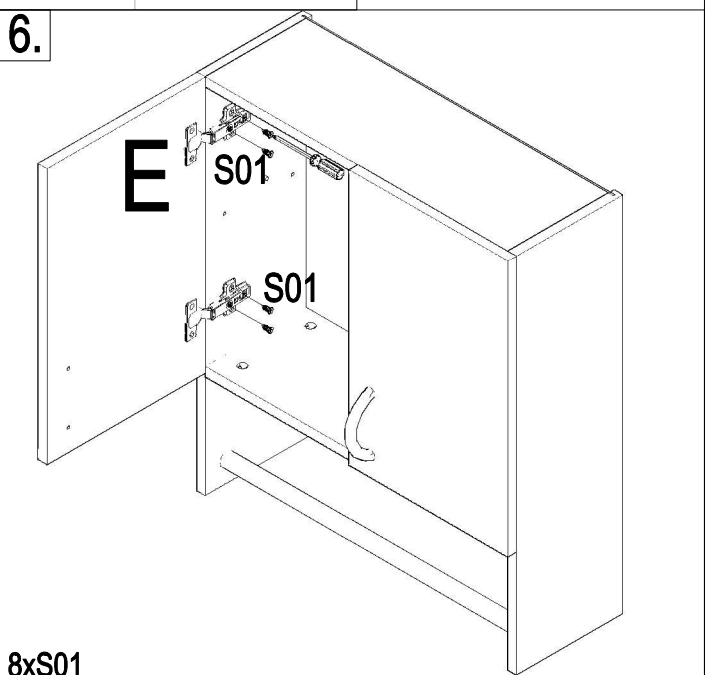


5. X 2



2XS11
1XM01
2XB01
4xS01

6.



8xS01